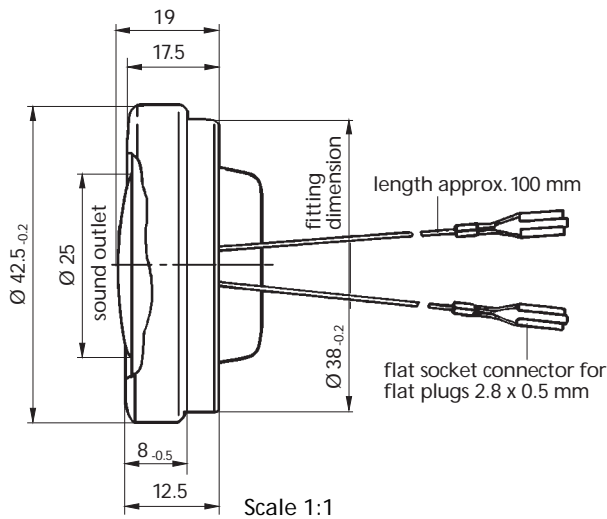




**Dynamic Transducers Series 80-20...
Part No. 80-20-04871**



Suitable as microphone and earphone

Technical specification

| | | |
|------------------------------------|---|--|
| Weight | approx. 45 g | |
| Terminals | approx. 100 mm stranded wires, flat socket connectors 2.8 x 0.5 mm (other lengths on request) | |
| Degree of protection (front) | IP 40 | according to DIN 40050 |
| Temperature range | operation: -35 °C up to +60 °C storage: -40 °C up to +80 °C | Nb } acc. to DIN IEC 68 section 2-14 Nb } |
| Acceptable relative humidity | ≤ 93 % | Db acc. to DIN IEC 68 section 2-30 |

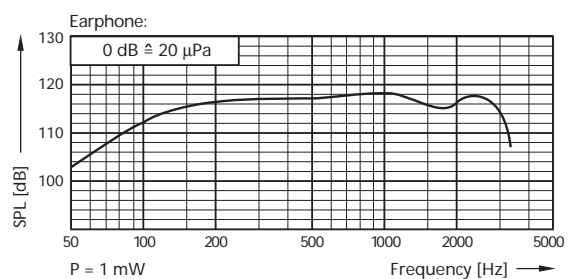
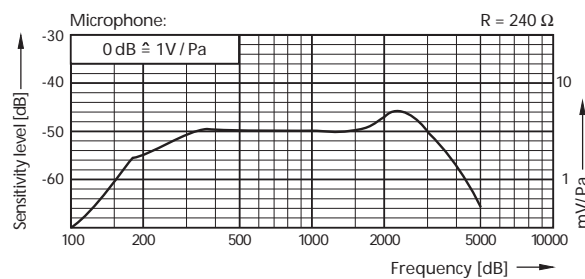
Holmberg GmbH & Co. KG
Ohlauer Straße 5-11
D-10999 Berlin
Postbox 36 01 40
D-10971 Berlin
Phone 030/617 80-0
Fax 030/618 40 94

Electroacoustic specification (capsule fitted into housing)

| | | |
|--------------------------------------|--|-----------------------------------|
| DC resistance (±15 %) | 240 Ω * | |
| Directional characteristic | omnidirectional | |
| Free-field no-load sensitivity | 3.2 mV/Pa [(-50 ± 3) dB, rel. 1 V/Pa] | R = 240 Ω, f = 1 kHz |
| Power handling capability | 0.5 W | according to DIN 45573 |
| Reference equivalent | -2.6 up to -5.2 dB corresponding to group II (blue) | according to FTZ 439.2 TV 1 |
| Rated sound pressure level | (118 ± 2) dB, rel. 20 µPa | at 1 mW, Braun coupler, f = 1 kHz |

Specifications subject to change without notice.
Printed in Germany
02.97

Frequency response



Capsule fitted into a handset
Braun coupler applied

*As part no. 80-20-04891 the transducer capsule can also be ordered with following DC resistances: 3.7; 6; 15; 30; 50; 100; 200 or 600 Ω on request.

The transducers are delivered with a rubber o-ring which can be re-ordered as part no. 19-16-00027.

For optimal frequency response the conditions of installation are important, especially the design of front and rear sound openings. Please ask for further information!

