

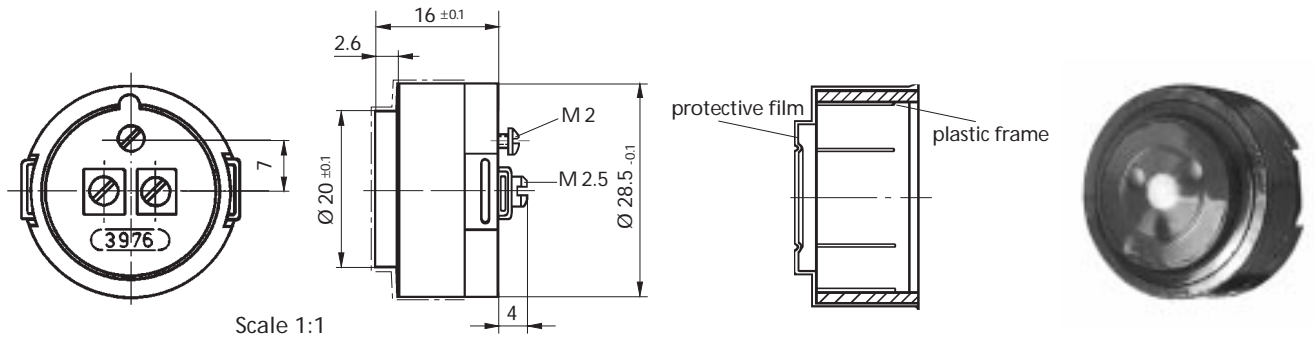


HOLMCO

Holmberg GmbH & Co. KG
ELEKTROAKUSTIK

I-12a

Dynamic Transducers Series 80-30... Part No. 80-30-03976



Scale 1:1

Suitable as microphone for oxygen masks
With replaceable humidity protection film

Technical specification

Weight	approx. 17 g	
Terminals	screw terminals	
Degree of protection (front)	IP 63 (splashproof)	according to DIN 40050
	protective film with plastic frame part no. 19-11-00069 (spare part)	
Temperature range	operation: -40 °C up to +80 °C	Nb } acc. to DIN IEC 68 section 2-14
	storage: -40 °C up to +80 °C	
Acceptable relative humidity	≤ 93 %	Db acc. to DIN IEC 68 section 2-30

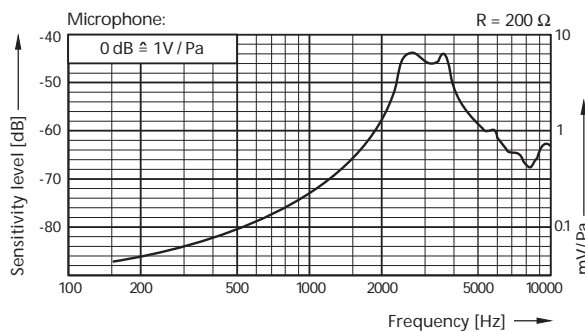
Holmberg GmbH & Co. KG
 Ohlauer Straße 5-11
 D-10999 Berlin
 Postbox 36 01 40
 D-10971 Berlin
 Phone 030/617 80-0
 Fax 030/618 40 94

Electroacoustic specification

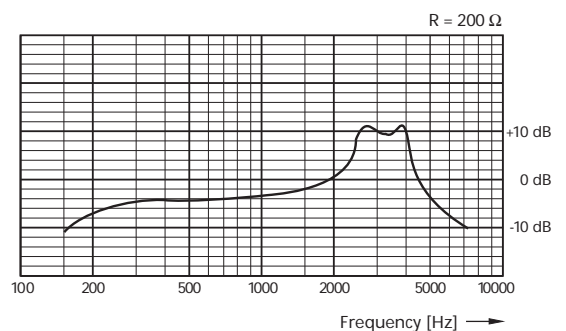
DC resistance (±15 %)	10; 50; 200; 300 Ω (other values on request)	
Directional characteristic	omnidirectional	
Free-field no-load sensitivity	0.2 mV/Pa [(-74 ± 3) dB, rel. 1 V/Pa]	R = 200 Ω, f = 1 kHz
Output voltage (no load)	approx. 4 mV	R = 200 Ω, (capsule fitted into mask)

Specifications
 subject to change
 without notice.
 Printed in Germany
 02.97

Frequency response



Free-field conditions



Subjective frequency response obtained in an oxygen mask

For optimal frequency response the conditions of installation are important, especially the design of front and rear sound openings. Please ask for further information!

